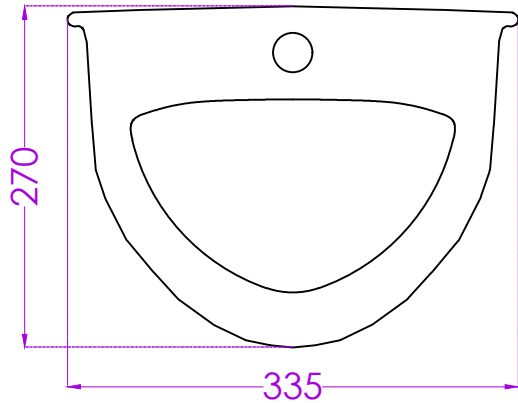


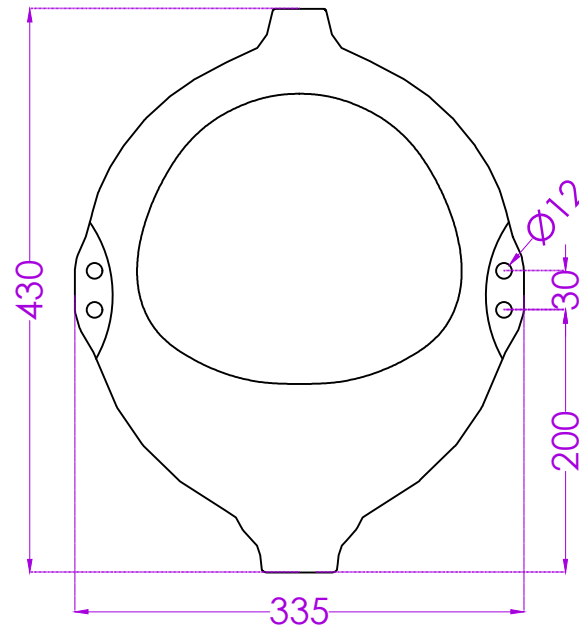
RUBY FLAT BACK P0419PW0704

URINAL

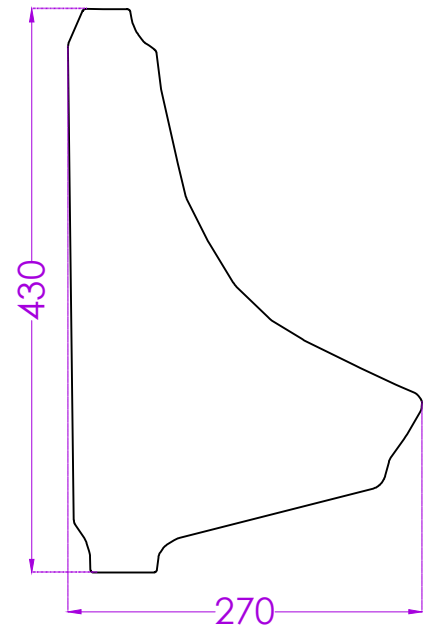
JOHNSON



PLAN



FRONT



SIDE